

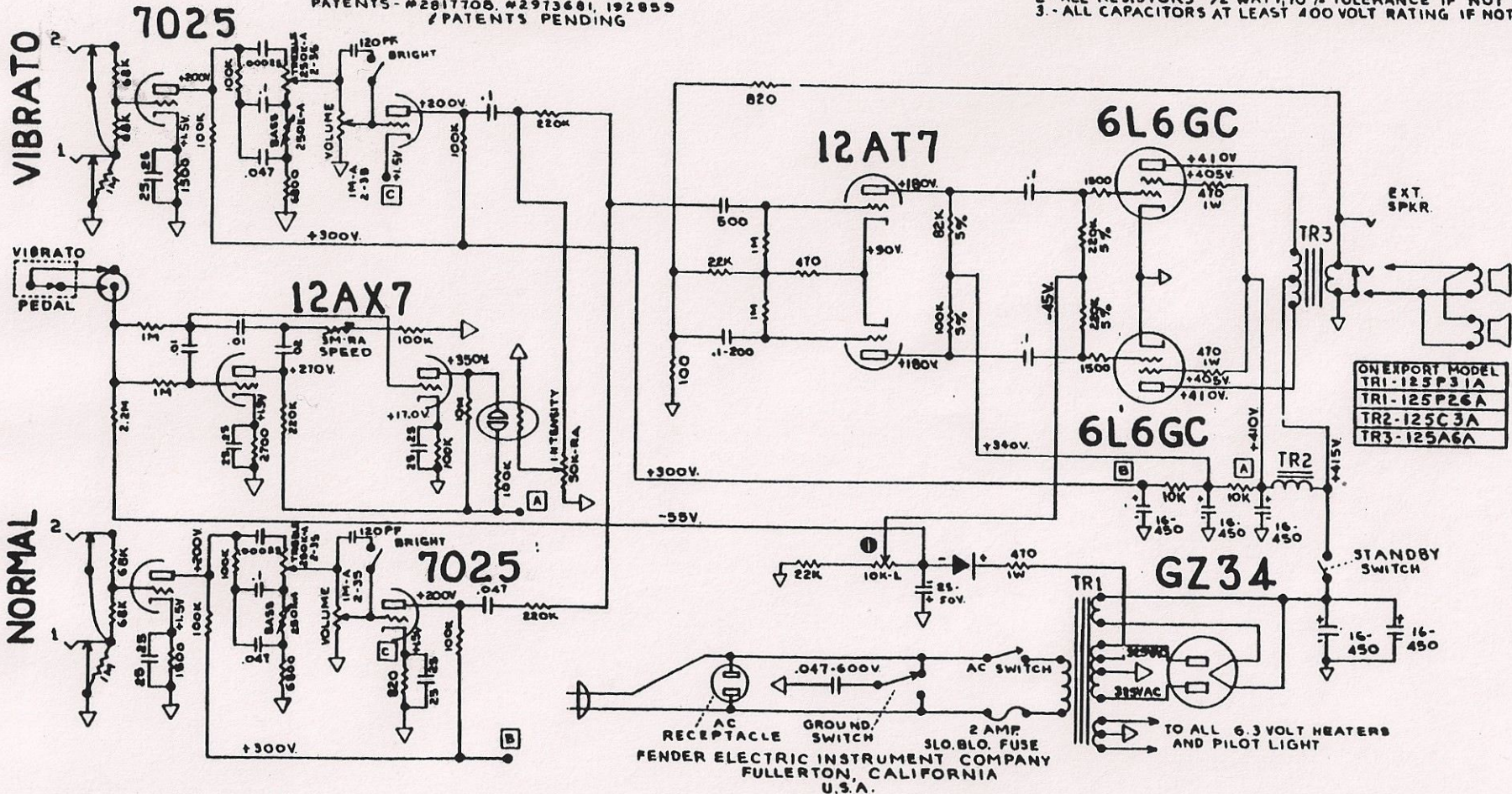
# FENDER TREMOLUX-AMP AB763" SCHEMATIC

## NOTICE

THIS PRODUCT MANUFACTURED UNDER ONE OR MORE OF THE FOLLOWING U.S. PATENTS - #2817708, #2973681, 192859 PATENTS PENDING

C- FD

- 1- VOLTAGES READ TO GROUND WITH ELECTRONIC VOLTMETER. VALUES SHOWN + OR - 20%.
- 2- ALL RESISTORS 1/2 WATT, 10% TOLERANCE IF NOT SPECIFIED.
- 3- ALL CAPACITORS AT LEAST 400 VOLT RATING IF NOT SPECIFIED.



FENDER ELECTRIC INSTRUMENT COMPANY  
 FULLERTON, CALIFORNIA  
 U.S.A.