

FENDER "SUPER-REVERB-AMPAA 763" SCHEMATIC

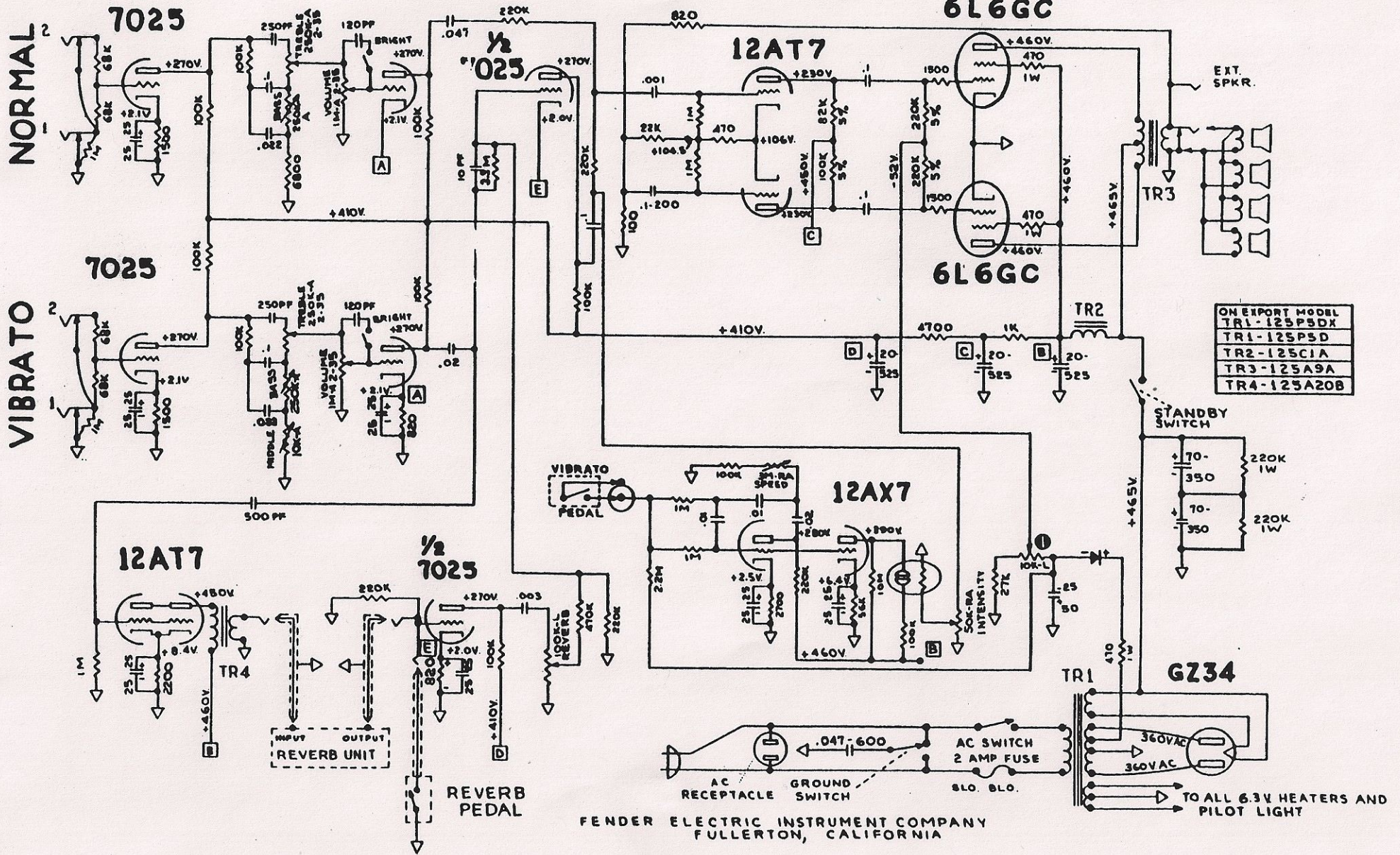
NOTICE

THIS PRODUCT MANUFACTURED UNDER ONE OR MORE OF THE FOLLOWING U.S. PATENTS -
 CIRCUIT PATENT #2817708, #2973681
 DESIGN PATENT #192859
 (PATENTS PENDING)

K-FC

1. VOLTAGES READ TO GROUND WITH ELECTRONIC VOLTMETER, VALUES SHOWN + OR - 20%
2. ALL RESISTORS 1/2 WATT, 10% TOLERANCE IF NOT SPECIFIED
3. ALL CAPACITORS AT LEAST 400 VOLT RATING IF NOT SPECIFIED.

679



FENDER ELECTRIC INSTRUMENT COMPANY
 FULLERTON, CALIFORNIA